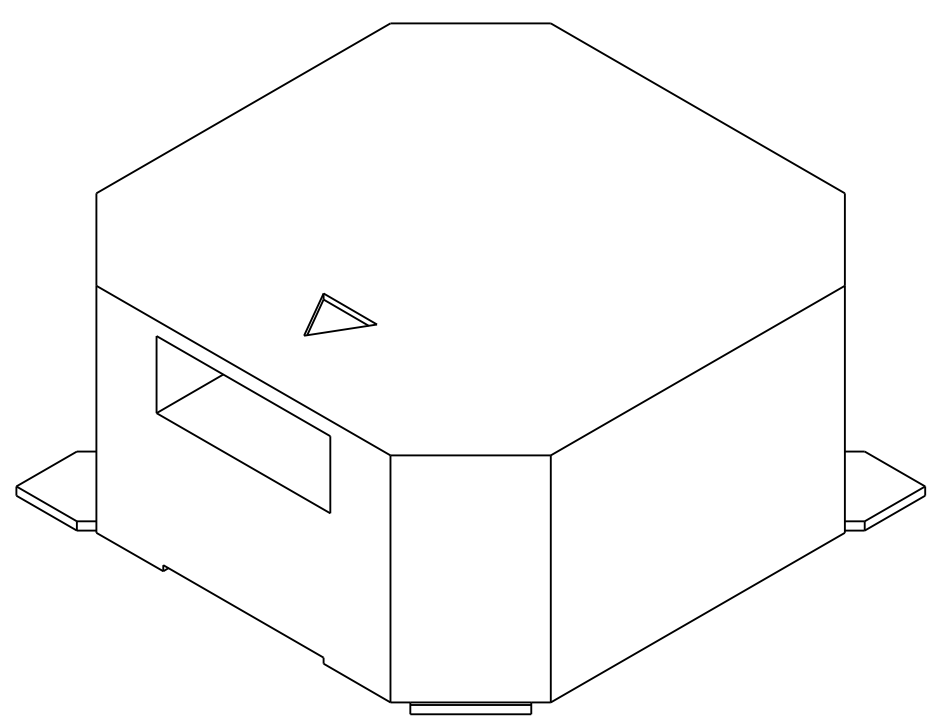
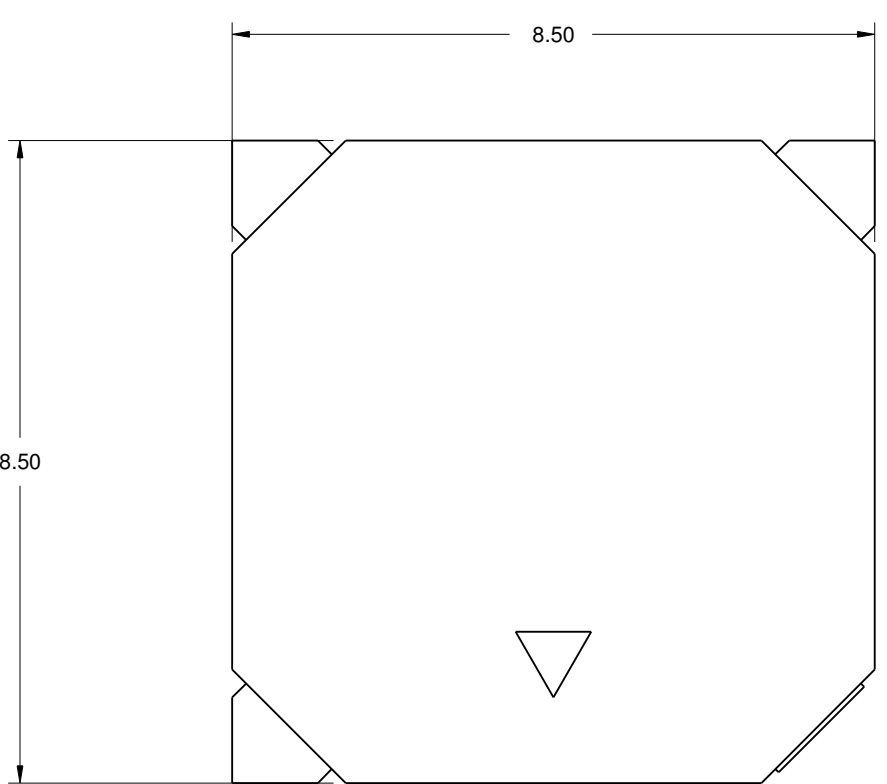
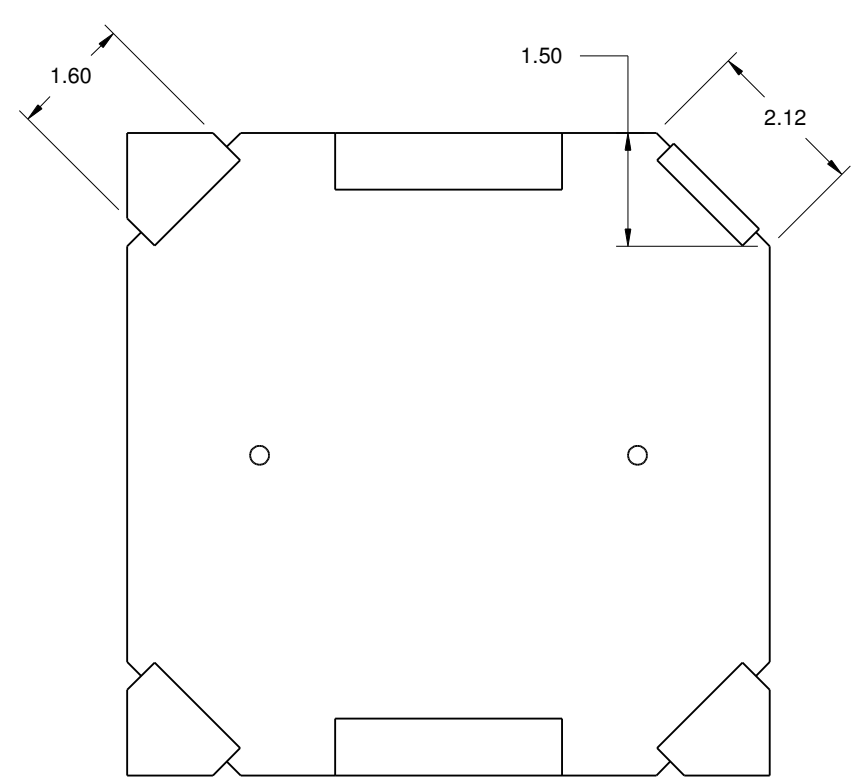
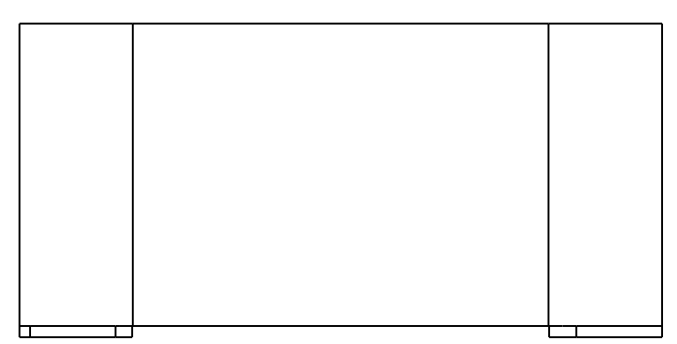
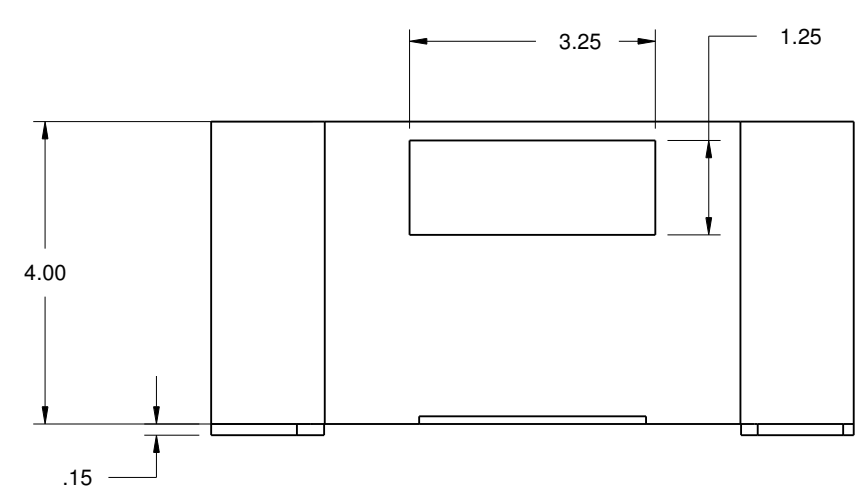


REVISIONS				
ZONE	REV	DESCRIPTION	DATE	APPROVED
A				



No.	Part Name	Material	Quantity
1	Case	LCP	1
2	Core	Ferrum	1
3	Coil	Copper	1
4	Magnet ring	NdFeB	1
5	Diaphragm	Ferrum	1
6	Case	LCP	1



211 N. FIRST ST.
MINNEAPOLIS, MN 55401

ALL DIMENSIONS +/- .5MM UNLESS NOTED	DRAWN BWS	DATE 6/15/2019	ALL DIMENSIONS PROVIDED FOR REF. ONLY	
	CHECKED		ST-04BT	
REFER TO 3D MODEL FOR MISSING DIMENSIONS	QA		SIZE C	
	MFG		SCALE 1:1	SHEET 1 OF 1
	APPROVED			