

4

3

2

1

REVISIONS				
ZONE	REV	DESCRIPTION	DATE	APPROVED
A				

D

D

C

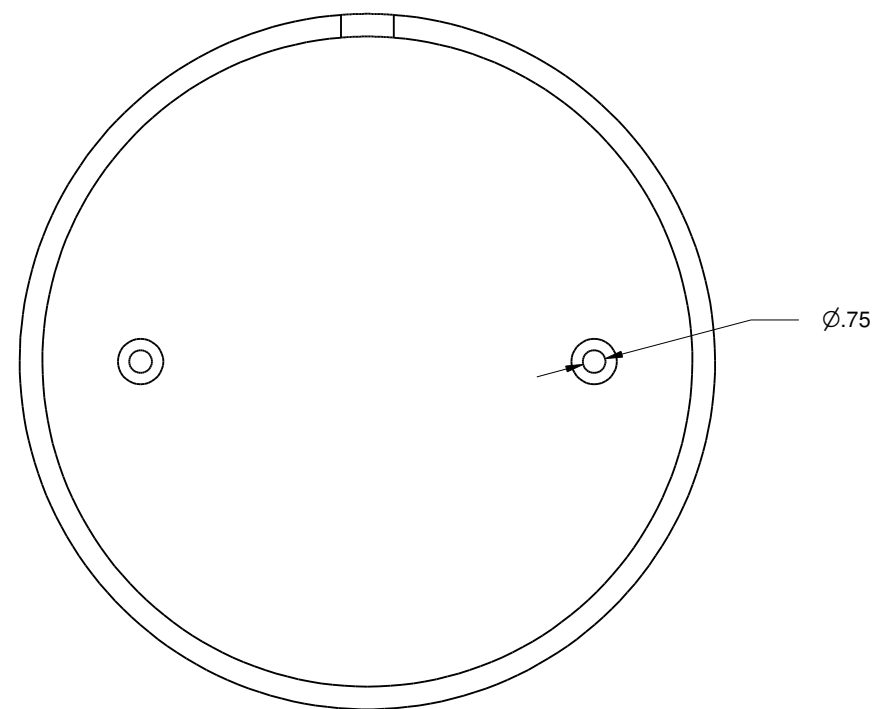
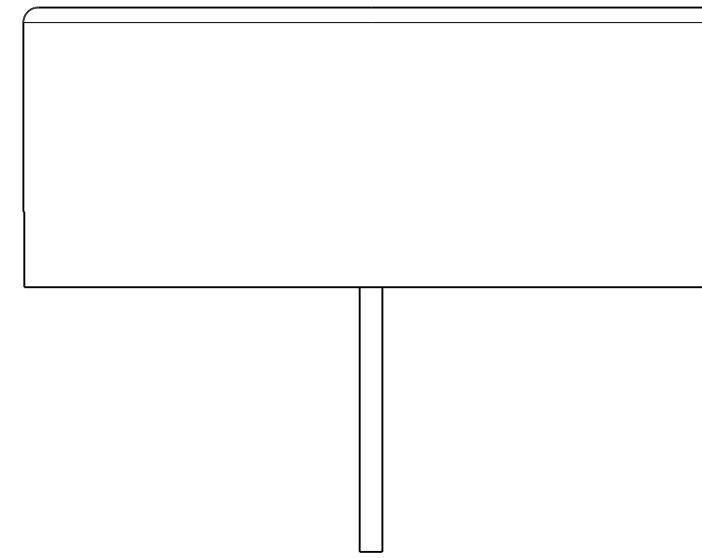
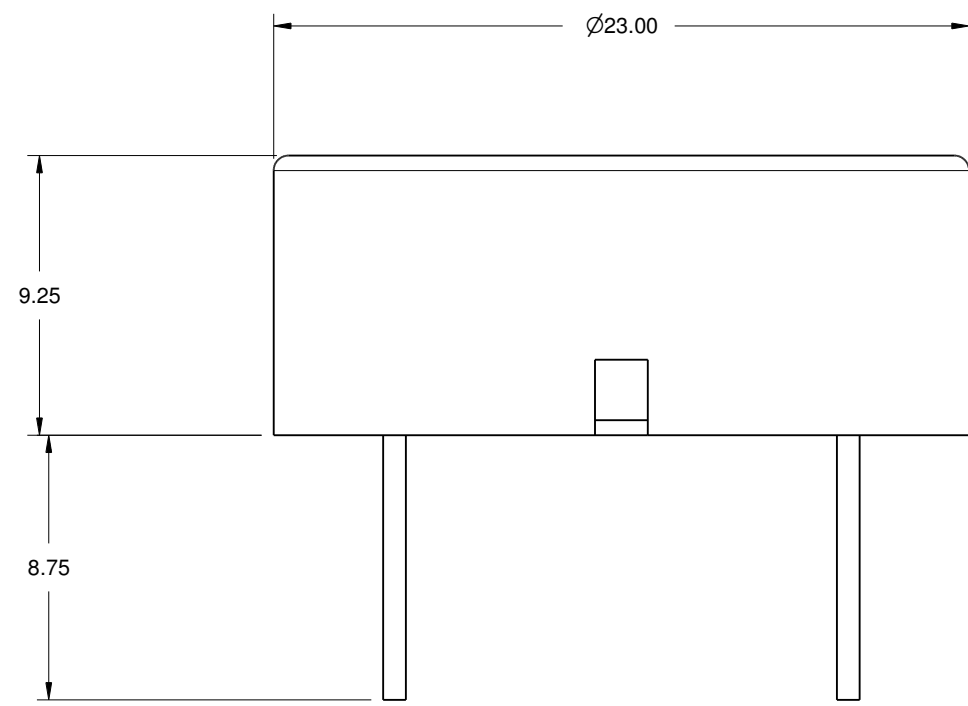
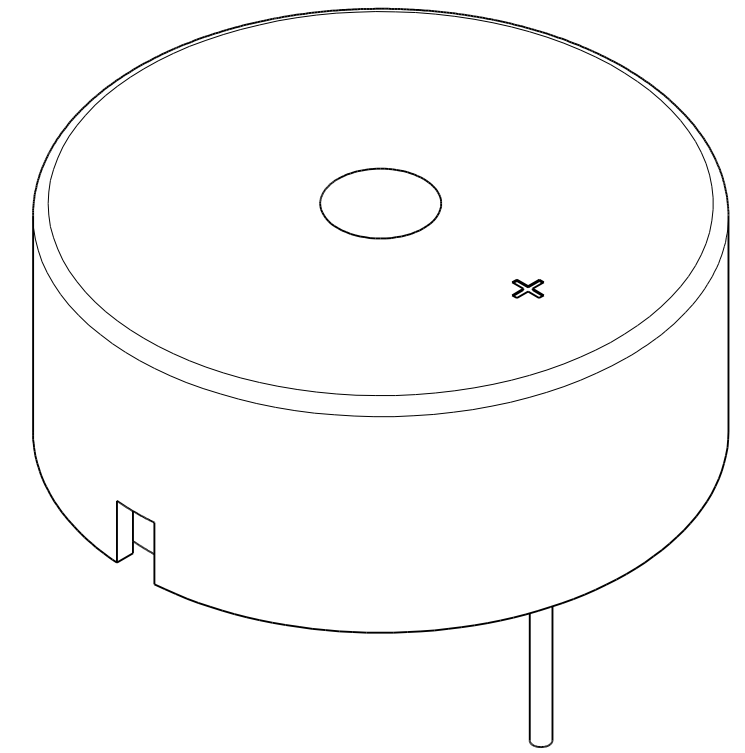
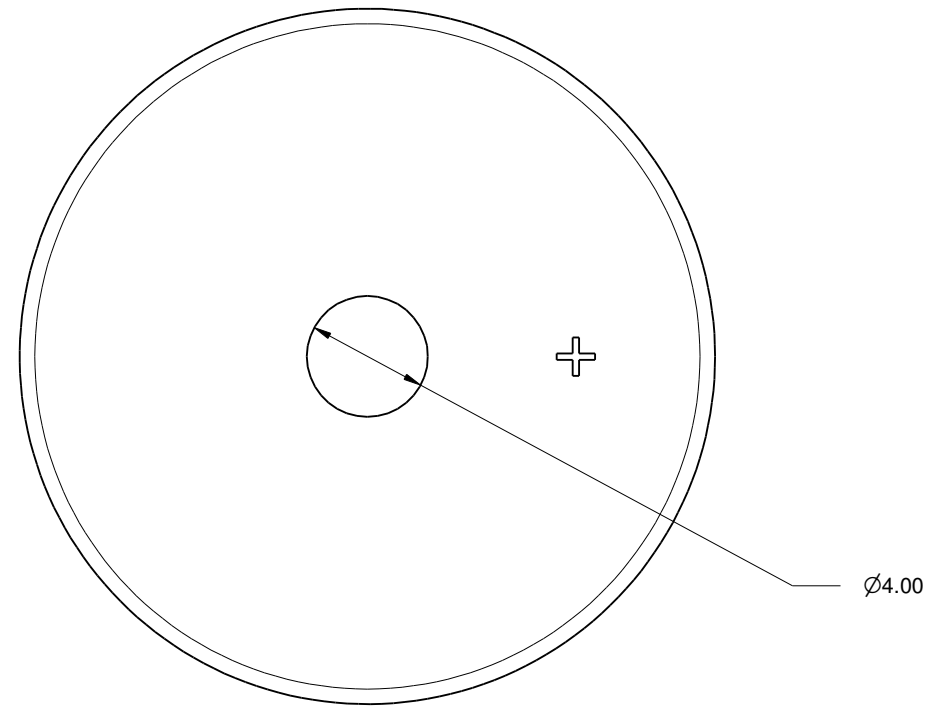
C

B

B

A

A



211 N. FIRST ST.  
MINNEAPOLIS, MN 55401

ALL DIMENSIONS +/- .5MM UNLESS NOTED	DRAWN BWS	DATE 06/11/2019	ALL DIMENSIONS PROVIDED FOR REF. ONLY	
	CHECKED		PB-2410	
REFER TO 3D MODEL FOR MISSING DIMENSIONS	QA		SIZE C	
	MFG		SCALE 1:1	SHEET 1 OF 1
	APPROVED			

4

3

2

1