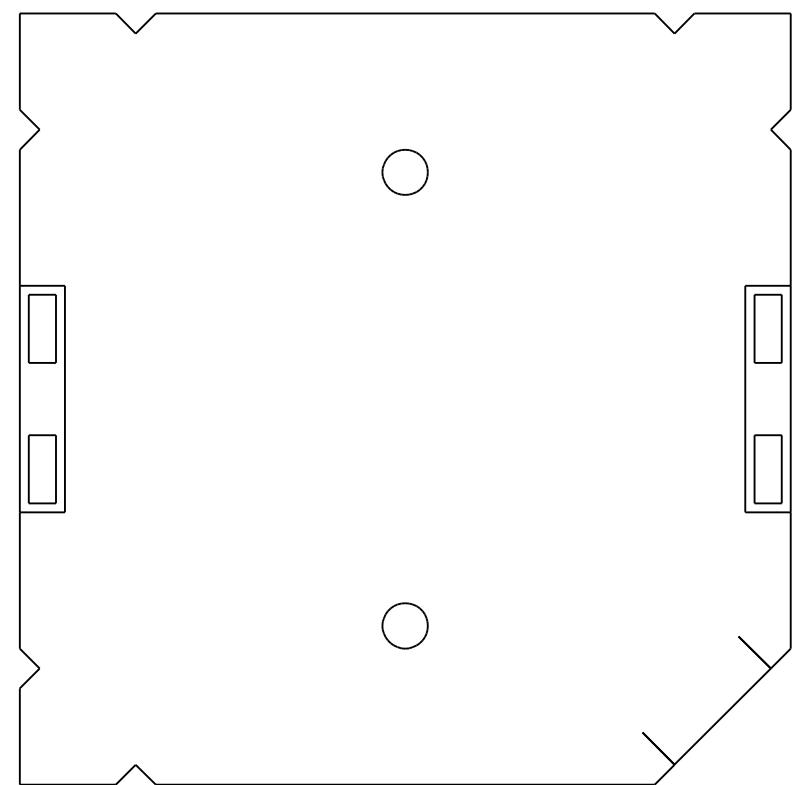
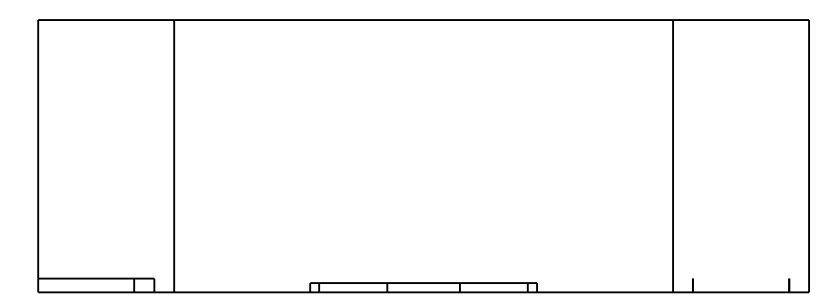
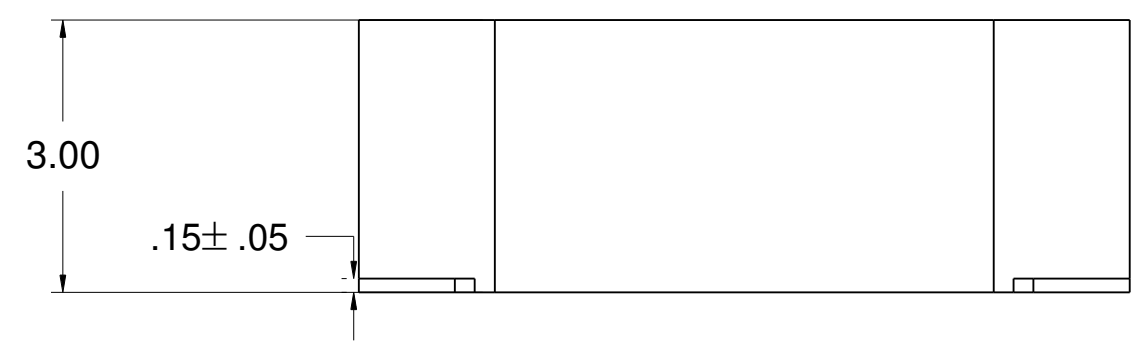
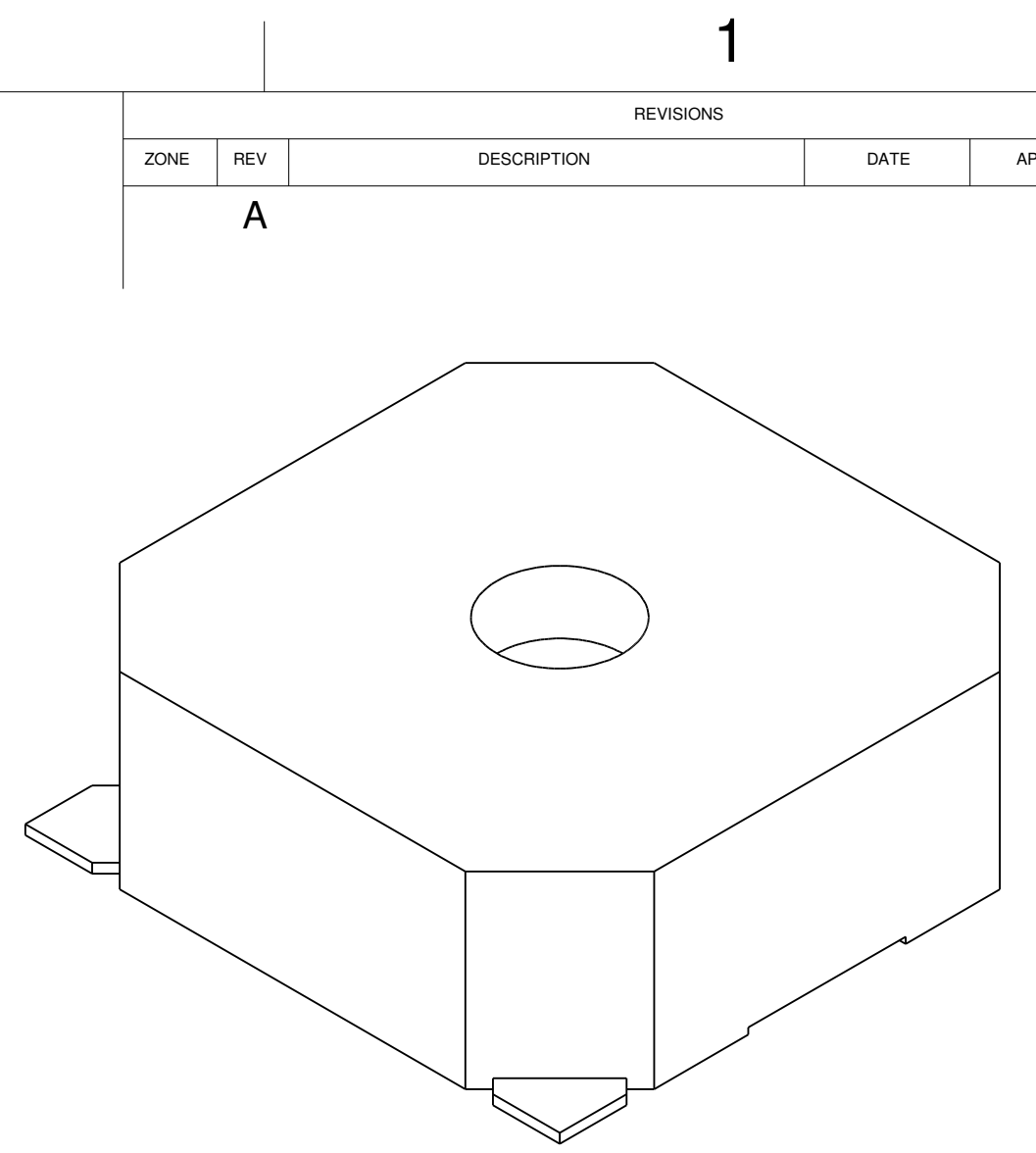
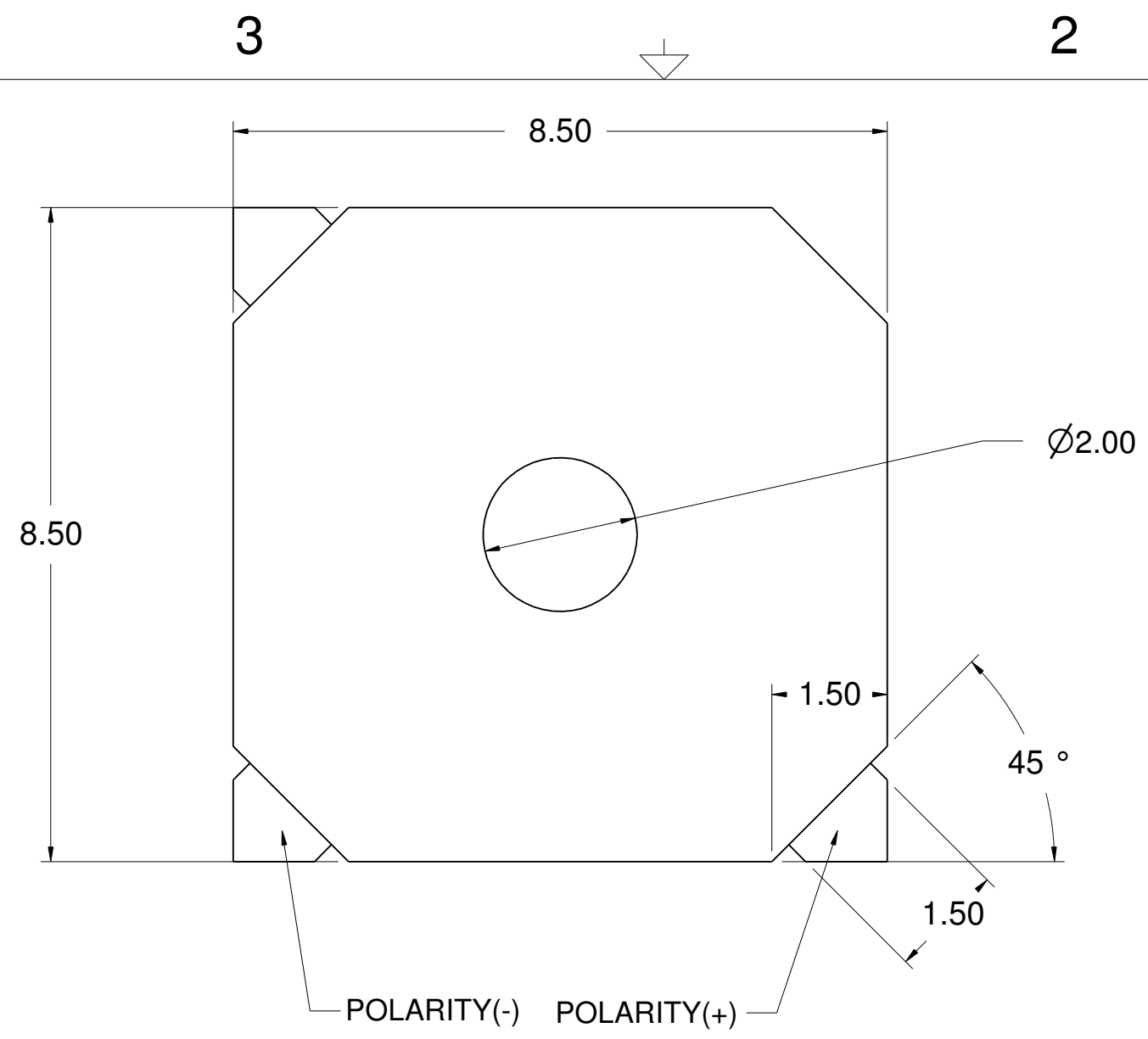


No.	Part Name	Material	Quantity
1	Case	LCP	1
2	Core	Ferrum	1
3	Coil	Copper	1
4	Magnet Ring	NdFeB	1
5	Diaphragm	Ferrum	1
6	Case	LCP	1



211 N. FIRST ST.
MINNEAPOLIS, MN 55401

ALL DIMENSIONS +/- .5MM UNLESS NOTED	DRAWN	DATE	ALL DIMENSIONS PROVIDED FOR REF. ONLY	
	BWS	10/13/2019		
REFER TO 3D MODEL FOR MISSING DIMENSIONS	CHECKED		ST-A03BH	
	QA			
	MFG			
	APPROVED			
		SIZE		
		C		
		SCALE	1:1	SHEET 1 OF 1